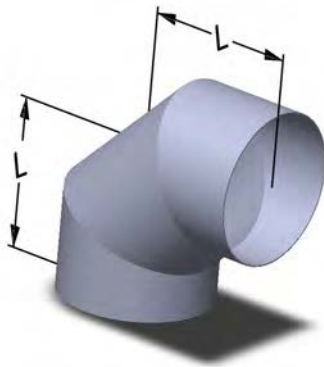
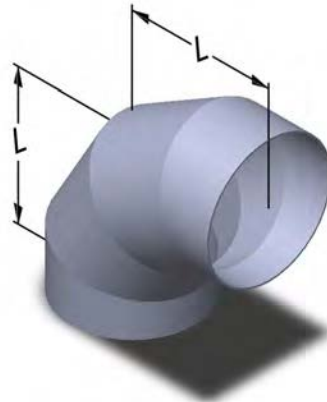


# MITERED ELBOWS

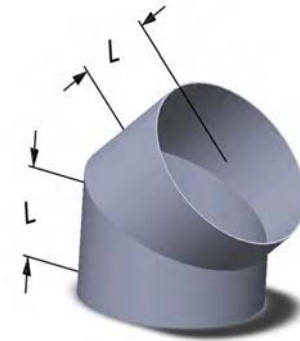
**90 DEGREE  
3 PCS CONSTRUCTION**



**90 DEGREE  
4 PCS CONSTRUCTION**



**45 DEGREE  
2 PCS CONSTRUCTION**



**MT - LONG RADIUS**

TUBE O.D.	RAD.	L	THK.	90° ( 3 PCS CONST.)		90° ( 4 PCS CONST.)		45° ( 2 PCS CONST.)		
				CARBON STEEL	T-304 S/S	CARBON STEEL	T-304 S/S	L	CARBON STEEL	T-304 S/S
14"	21.00	21.00	0.109	MT93-1400	MT93-1400H	MT94-1400	MT94-1400H	8.75	MT42-1400	MT42-1400H
16"	24.00	24.00	0.109	MT93-1600	MT93-1600H	MT94-1600	MT94-1600H	10.00	MT42-1600	MT42-1600H
18"	27.00	27.00	0.109	MT93-1800	MT93-1800H	MT94-1800	MT94-1800H	11.25	MT42-1800	MT42-1800H
20"	30.00	30.00	0.134	MT93-2000	MT93-2000H	MT94-2000	MT94-2000H	12.50	MT42-2000	MT42-2000H
22"	33.00	33.00	0.134	MT93-2200	MT93-2200H	MT94-2200	MT94-2200H	13.75	MT42-2200	MT42-2200H
24"	36.00	36.00	0.134	MT93-2400	MT93-2400H	MT94-2400	MT94-2400H	15.00	MT42-2400	MT42-2400H

**SMT - SHORT RADIUS**

TUBE O.D.	RAD.	L	THK.	90° ( 3 PCS CONST.)		90° ( 4 PCS CONST.)	
				CARBON STEEL	T-304 S/S	CARBON STEEL	T-304 S/S
14"	14.00	14.00	0.109	SMT93-1400	SMT93-1400H	SMT94-1400	SMT94-1400H
16"	16.00	16.00	0.109	SMT93-1600	SMT93-1600H	SMT94-1600	SMT94-1600H
18"	18.00	18.00	0.109	SMT93-1800	SMT93-1800H	SMT94-1800	SMT94-1800H
20"	20.00	20.00	0.134	SMT93-2000	SMT93-2000H	SMT94-2000	SMT94-2000H
22"	22.00	22.00	0.134	SMT93-2200	SMT93-2200H	SMT94-2200	SMT94-2200H
24"	24.00	24.00	0.134	SMT93-2400	SMT93-2400H	SMT94-2400	SMT94-2400H



**OPTIONS**

- Heavy Wall Construction Up to 3/8" Thk Available.
- Elbows can be Made in Any Degree Required.
- Longer "L" Dimension Available.
- Flanged Ends Available.
- T-316 Stainless Steel Available on Request.

Contact One Of Our Product Specialists For Assistance

