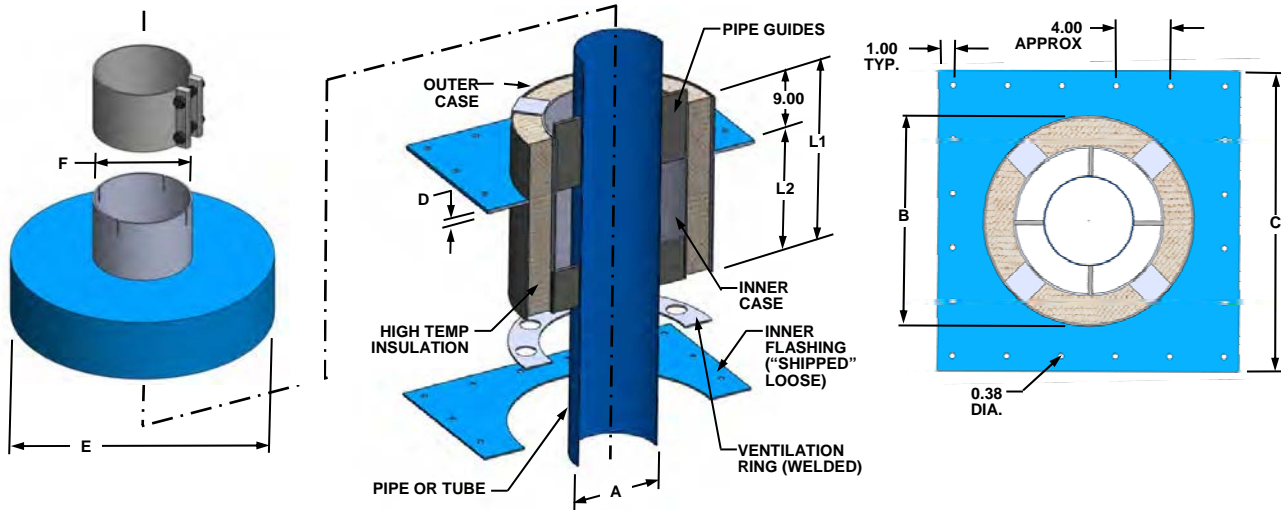


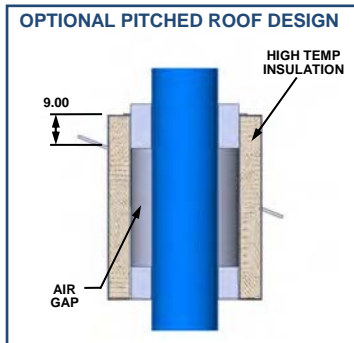
ROOF/WALL THIMBLES

INSULATED ROOF / WALL THIMBLE - DESIGNED PER NFPA 37 REQUIREMENTS



PIPE/ TUBE OD	CARBON STEEL						FITS 1" THRU 5" THK WALL / ROOF			FITS 6" THRU 10" THK WALL / ROOF			FITS 11" THRU 15" THK WALL / ROOF		
	A	B	C	D	E	F	L1	L2	P/N	L1	L2	P/N	L1	L2	P/N
1 50"	10.00	16.00	0 25	12.00	1.54		23.00	14.00	WRT0150T-5	28 00	19 00	WRT0150T-10	33.00	24.00	WRT0150T-15
1 90"	10.00	16.00	0 25	12.00	1.94		23.00	14.00	WRT0150P-5	28 00	19 00	WRT0150P-10	33.00	24.00	WRT0150P-15
2 00"	10.00	16.00	0 25	12.00	2.04		23.00	14.00	WRT0200T-5	28 00	19 00	WRT0200T-10	33.00	24.00	WRT0200T-15
2 38"	10.00	16.00	0 25	12.00	2.42		23.00	14.00	WRT0200P-5	28 00	19 00	WRT0200P-10	33.00	24.00	WRT0200P-15
2 50"	10.00	16.00	0 25	12.00	2.54		23.00	14.00	WRT0250T-5	28 00	19 00	WRT0250T-10	33.00	24.00	WRT0250T-15
2 88"	10.00	16.00	0 25	12.00	2.92		23.00	14.00	WRT0250P-5	28 00	19 00	WRT0250P-10	33.00	24.00	WRT0250P-15
3 00"	12.00	18.00	0 25	14.00	3.04		23.00	14.00	WRT0300T-5	28 00	19 00	WRT0300T-10	33.00	24.00	WRT0300T-15
3 50"	12.00	18.00	0 25	14.00	3.54		23.00	14.00	WRT0300P-5	28 00	19 00	WRT0300P-10	33.00	24.00	WRT0300P-15
4 00"	12.00	18.00	0 25	14.00	4.04		23.00	14.00	WRT0400T-5	28 00	19 00	WRT0400T-10	33.00	24.00	WRT0400T-15
4 50"	12.00	18.00	0 25	14.00	4.54		23.00	14.00	WRT0400P-5	28 00	19 00	WRT0400P-10	33.00	24.00	WRT0400P-15
5 00"	14.00	20.00	0 25	16.00	5.04		23.00	14.00	WRT0500T-5	28 00	19 00	WRT0500T-10	33.00	24.00	WRT0500T-15
5 56"	14.00	20.00	0 25	16.00	5.62		23.00	14.00	WRT0500P-5	28 00	19 00	WRT0500P-10	33.00	24.00	WRT0500P-15
6 00"	14.00	20.00	0 25	16.00	6.04		23.00	14.00	WRT0600T-5	28 00	19 00	WRT0600T-10	33.00	24.00	WRT0600T-15
6 63"	14.00	20.00	0 25	16.00	6.67		23.00	14.00	WRT0600P-5	28 00	19 00	WRT0600P-10	33.00	24.00	WRT0600P-15
8 00"	16.00	22.00	0 25	18.00	8.06		23.00	14.00	WRT0800T-5	28 00	19 00	WRT0800T-10	33.00	24.00	WRT0800T-15
8 63"	16.00	22.00	0 25	18.00	8.67		23.00	14.00	WRT0800P-5	28 00	19 00	WRT0800P-10	33.00	24.00	WRT0800P-15
10.00"	18.00	24.00	0 25	20.00	10.06		23.00	14.00	WRT1000T-5	28 00	19 00	WRT1000T-10	33.00	24.00	WRT1000T-15
10.75"	18.00	24.00	0 25	20.00	10.81		23.00	14.00	WRT1000P-5	28 00	19 00	WRT1000P-10	33.00	24.00	WRT1000P-15
12.00"	20.00	26.00	0 25	22.00	12.06		23.00	14.00	WRT1200T-5	28 00	19 00	WRT1200T-10	33.00	24.00	WRT1200T-15
12.75"	20.00	26.00	0 25	22.00	12.81		23.00	14.00	WRT1200P-5	28 00	19 00	WRT1200P-10	33.00	24.00	WRT1200P-15
14.00"	22.00	28.00	0 25	24.00	14.06		23.00	14.00	WRT1400P-5	28 00	19 00	WRT1400P-10	33.00	24.00	WRT1400P-15
16.00"	24.00	30.00	0 25	26.00	16.06		23.00	14.00	WRT1600P-5	28 00	19 00	WRT1600P-10	33.00	24.00	WRT1600P-15
18.00"	26.00	32.00	0 25	28.00	18.06		23.00	14.00	WRT1800P-5	28 00	19 00	WRT1800P-10	33.00	24.00	WRT1800P-15
20.00"	28.00	34.00	0 25	30.00	20.06		23.00	14.00	WRT2000P-5	28 00	19 00	WRT2000P-10	33.00	24.00	WRT2000P-15
22.00"	30.00	36.00	0 25	32.00	22.06		23.00	14.00	WRT2200P-5	28 00	19 00	WRT2200P-10	33.00	24.00	WRT2200P-15
24.00"	32.00	38.00	0 25	34.00	24.06		23.00	14.00	WRT2400P-5	28 00	19 00	WRT2400P-10	33.00	24.00	WRT2400P-15

Note: Stainless Steel Available on Request



FEATURES:

- Meets or Exceeds NFPA 37 Requirements.
- Designed With Structural Integrity.
- Heavy Wall Steel Construction.
- Built-in Pipe Guides Eliminate Hot Spots.
- High Temperature Insulation Rated at 2300°F.

TEMPERATURE REDUCTION

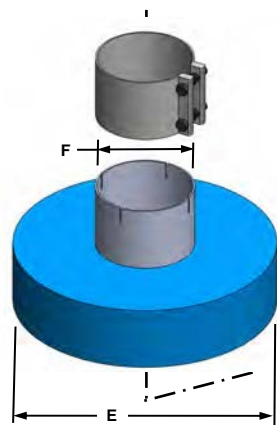
- 1000°F Exhaust temperature reduced to 191°F outside case temperature.
- 1100°F Exhaust temperature reduced to 210°F outside case temperature.
- 1200°F Exhaust temperature reduced to 230°F outside case temperature.

Contact One Of Our Product Specialists For Assistance



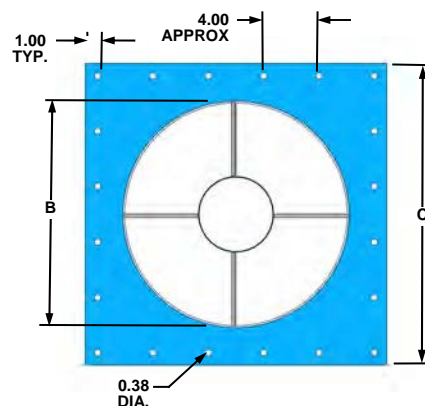
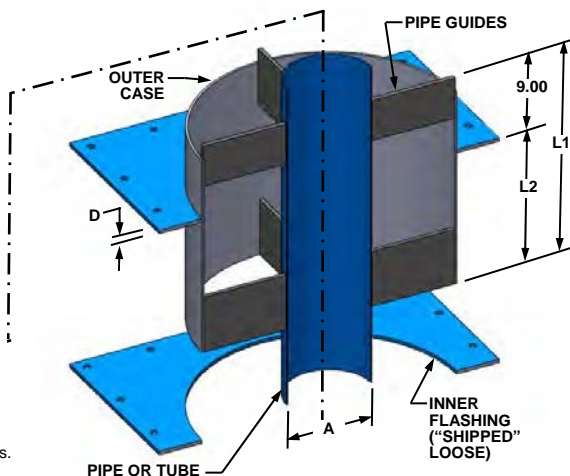
ROOF/WALL THIMBLES

NON-INSULATED ROOF / WALL THIMBLE - DESIGNED PER NFPA 37 REQUIREMENTS



FEATURES:

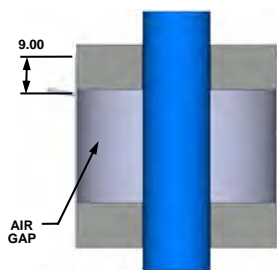
- Meets or Exceeds NFPA 37 Requirements.
- Designed With Structural Integrity.
- Heavy Wall Steel Construction.



- Built-in Pipe Guides Eliminate Hot Spots.
- High Temperature Insulation Rated at 2300°F.

PIPE/ TUBE OD	CARBON STEEL					FITS 1" THRU 5" THK WALL / ROOF			FITS 6" THRU 10" THK WALL / ROOF			FITS 11" THRU 15" THK WALL / ROOF		
	A	B	C	D	E	F	L1	L2	P/N	L1	L2	P/N	L1	L2
1.50"	14.00	20.00	0.25	16.00	1.54	23.00	14.00	NIT0150T-5	28.00	19.00	NIT0150T-10	33.00	24.00	NIT0150T-15
1.90"	14.00	20.00	0.25	16.00	1.94	23.00	14.00	NIT0150P-5	28.00	19.00	NIT0150P-10	33.00	24.00	NIT0150P-15
2.00"	14.00	20.00	0.25	16.00	2.04	23.00	14.00	NIT0200T-5	28.00	19.00	NIT0200T-10	33.00	24.00	NIT0200T-15
2.38"	16.00	22.00	0.25	18.00	2.42	23.00	14.00	NIT0200P-5	28.00	19.00	NIT0200P-10	33.00	24.00	NIT0200P-15
2.50"	16.00	22.00	0.25	18.00	2.54	23.00	14.00	NIT0250T-5	28.00	19.00	NIT0250T-10	33.00	24.00	NIT0250T-15
2.88"	16.00	22.00	0.25	18.00	2.92	23.00	14.00	NIT0250P-5	28.00	19.00	NIT0250P-10	33.00	24.00	NIT0250P-15
3.00"	16.00	22.00	0.25	18.00	3.04	23.00	14.00	NIT0300T-5	28.00	19.00	NIT0300T-10	33.00	24.00	NIT0300T-15
3.50"	16.00	22.00	0.25	18.00	3.54	23.00	14.00	NIT0300P-5	28.00	19.00	NIT0300P-10	33.00	24.00	NIT0300P-15
4.00"	16.00	22.00	0.25	18.00	4.04	23.00	14.00	NIT0400T-5	28.00	19.00	NIT0400T-10	33.00	24.00	NIT0400T-15
4.50"	18.00	24.00	0.25	20.00	4.54	23.00	14.00	NIT0400P-5	28.00	19.00	NIT0400P-10	33.00	24.00	NIT0400P-15
5.00"	18.00	24.00	0.25	20.00	5.04	23.00	14.00	NIT0500T-5	28.00	19.00	NIT0500T-10	33.00	24.00	NIT0500T-15
5.56"	18.00	24.00	0.25	20.00	5.62	23.00	14.00	NIT0500P-5	28.00	19.00	NIT0500P-10	33.00	24.00	NIT0500P-15
6.00"	18.00	24.00	0.25	20.00	6.04	23.00	14.00	NIT0600T-5	28.00	19.00	NIT0600T-10	33.00	24.00	NIT0600T-15
6.63"	20.00	26.00	0.25	22.00	6.67	23.00	14.00	NIT0600P-5	28.00	19.00	NIT0600P-10	33.00	24.00	NIT0600P-15
8.00"	20.00	26.00	0.25	22.00	8.06	23.00	14.00	NIT0800T-5	28.00	19.00	NIT0800T-10	33.00	24.00	NIT0800T-15
8.63"	22.00	28.00	0.25	24.00	8.67	23.00	14.00	NIT0800P-5	28.00	19.00	NIT0800P-10	33.00	24.00	NIT0800P-15
10.00"	22.00	28.00	0.25	24.00	10.06	23.00	14.00	NIT1000T-5	28.00	19.00	NIT1000T-10	33.00	24.00	NIT1000T-15
10.75"	24.00	30.00	0.25	26.00	10.81	23.00	14.00	NIT1000P-5	28.00	19.00	NIT1000P-10	33.00	24.00	NIT1000P-15
12.00"	24.00	30.00	0.25	26.00	12.06	23.00	14.00	NIT1200T-5	28.00	19.00	NIT1200T-10	33.00	24.00	NIT1200T-15
12.75"	26.00	32.00	0.25	28.00	12.81	23.00	14.00	NIT1200P-5	28.00	19.00	NIT1200P-10	33.00	24.00	NIT1200P-15
14.00"	26.00	32.00	0.25	28.00	14.06	23.00	14.00	NIT1400T-5	28.00	19.00	NIT1400T-10	33.00	24.00	NIT1400T-15
16.00"	28.00	34.00	0.25	30.00	16.06	23.00	14.00	NIT1600P-5	28.00	19.00	NIT1600P-10	33.00	24.00	NIT1600P-15
18.00"	30.00	36.00	0.25	32.00	18.06	23.00	14.00	NIT1800P-5	28.00	19.00	NIT1800P-10	33.00	24.00	NIT1800P-15
20.00"	32.00	38.00	0.25	34.00	20.06	23.00	14.00	NIT2000P-5	28.00	19.00	NIT2000P-10	33.00	24.00	NIT2000P-15
22.00"	34.00	40.00	0.25	36.00	22.06	23.00	14.00	NIT2200P-5	28.00	19.00	NIT2200P-10	33.00	24.00	NIT2200P-15
24.00"	36.00	42.00	0.25	38.00	24.06	23.00	14.00	NIT2400P-5	28.00	19.00	NIT2400P-10	33.00	24.00	NIT2400P-15

OPTIONAL PITCHED ROOF DESIGN



ADD TO L1 FOR PITCHED ROOF DESIGN

PITCH	OUTSIDE CASE DIAMETER (INSULATED OR NON-INSULATED)															
	10"	12"	14"	16"	18"	20"	22"	24"	26"	28"	30"	32"	34"	36"		
0.5 - 12	.42	.50	.60	.67	.75	.83	.92	1.0	1.1	1.2	1.3	1.4	1.4	1.5		
1.0 - 12	.83	1.0	1.2	1.4	1.5	1.7	1.8	2.0	2.2	2.3	2.5	2.7	2.8	3.0		
1.5 - 12	1.3	1.5	1.8	2.0	2.3	2.5	2.8	3.0	3.3	3.5	3.8	4.0	4.3	4.5		
2.0 - 12	1.7	2.0	2.3	2.7	3.0	3.3	3.7	4.0	4.3	4.7	5.0	5.3	5.7	6.0		
3.0 - 12	2.5	3.0	3.5	4.0	4.5	5.0	5.5	6.0	6.5	7.0	7.5	8.0	8.5	9.0		
4.0 - 12	3.3	4.0	4.7	5.3	6.0	6.7	7.3	8.0	8.7	9.3	10.0	10.7	11.3	12.0		
5.0 - 12	4.2	5.0	5.8	6.7	7.5	8.3	9.2	10.0	10.8	11.7	12.5	13.3	14.2	15.0		
6.0 - 12	5.0	6.0	7.0	8.0	9.0	10.0	11.0	12.0	13.0	14.0	15.0	16.0	18.0	20.0		

Add Pitch to End of Part Number:
Example: WRT1200P-15-4.0-12 is for 4 / 12

Note: Stainless Steel Available on Request
Contact One Of Our Product Specialists For Assistance

