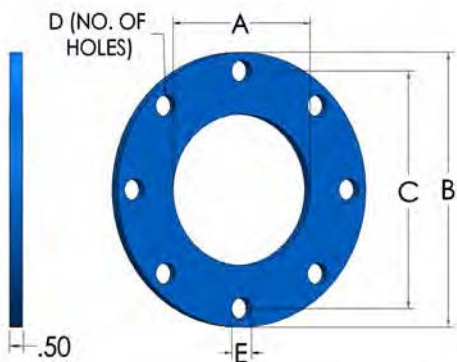


EXHAUST FLANGES

1/2" THICK A-36 STEEL WITH 125/150# ANSI DRILLING



PIPE / TUBE SIZE	STANDARD ANSI FLANGES						REDUCING ANSI FLANGES			
	A	B	C	D	E	ONE SIZE		TWO SIZES		
	I.D.	O.D.	B.C.	NO. OF HOLES	DIA. OF HOLES	A	PART NO.	A	PART NO.	
1.50" TUBE	1.56	5.00	3.88	4	0.63	F0150T	1.31	F0150T-1.25	0.81	F0150T-.75
1.50" PIPE	1.95	5.00	3.88	4	0.63	F0150P	1.70	F0150P-1.25	1.09	F0150P-.75
2" TUBE	2.06	6.00	4.75	4	0.75	F0200T	1.56	F0200T-1.50	1.31	F0200T-1.25
2" P PE	2.44	6.00	4.75	4	0.75	F0200P	1.95	F0200P-1.50	1.70	F0200P-1.25
2.50" TUBE	2.56	7.00	5.50	4	0.75	F0250T	2.06	F0250T-2	1.56	F0250T-1.50
2.50" PIPE	2.94	7.00	5.50	4	0.75	F0250P	2.44	F0250P-2	1.95	F0250P-1.50
3" TUBE	3.06	7.50	6.00	4	0.75	F0300T	2.56	F0300T-2.50	2.06	F0300T-2
3" P PE	3.57	7.50	6.00	4	0.75	F0300P	2.94	F0300P-2.50	2.44	F0300P-2
3.50" TUBE	3.56	8.50	7.00	8	0.75	F0350T	3.06	F0350T-3	2.56	F0350T-2.50
3.50" PIPE	4.07	8.50	7.00	8	0.75	F0350P	3.57	F0350P-3	2.94	F0350P-2.50
4" TUBE	4.06	9.00	7.50	8	0.75	F0400T	3.56	F0400T-3.50	3.06	F0400T-3
4" P PE	4.57	9.00	7.50	8	0.75	F0400P	4.07	F0400P-3.50	3.57	F0400P-3
5" TUBE	5.06	10.00	8.50	8	0.88	F0500T	4.06	F0500T-4	3.56	F0500T-3.50
5" P PE	5.66	10.00	8.50	8	0.88	F0500P	4.57	F0500P-4	4.07	F0500P-3.50
6" TUBE	6.06	11.00	9.50	8	0.88	F0600T	5.06	F0600T-5	4.06	F0600T-4
6" P PE	6.72	11.00	9.50	8	0.88	F0600P	5.66	F0600P-5	4.57	F0600P-4
8" TUBE	8.06	13.50	11.75	8	0.88	F0800T	6.06	F0800T-6	5.06	F0800T-5
8" P PE	8.72	13.50	11.75	8	0.88	F0800P	6.72	F0800P-6	5.66	F0800P-5
10" TUBE	10.06	16.00	14.25	12	1.00	F1000T	8.06	F1000T-8	6.06	F1000T-6
10" PIPE	10.88	16.00	14.25	12	1.00	F1000P	8.72	F1000P-8	6.72	F1000P-6
12" TUBE	12.06	19.00	17.00	12	1.00	F1200T	10.06	F1200T-10	8.06	F1200T-8
12" PIPE	12.88	19.00	17.00	12	1.00	F1200P	10.88	F1200P-10	8.72	F1200P-8
14" PIPE	14.13	21.00	18.75	12	1.13	F1400	12.88	F1400-12	10.88	F1400-10
16" PIPE	16.13	23.50	21.25	16	1.13	F1600	14.13	F1600-14	12.88	F1600-12
18" PIPE	18.13	25.00	22.75	16	1.25	F1800	16.13	F1800-16	14.13	F1800-14
20" PIPE	20.13	27.50	25.00	20	1.25	F2000	18.13	F2000-18	16.13	F2000-16
22" PIPE	22.13	29.50	27.25	20	1.38	F2200	20.13	F2200-20	18.13	F2200-18
24" PIPE	24.13	32.00	29.50	20	1.38	F2400	22.13	F2400-22	20.13	F2400-20
26" PIPE	26.13	34.25	31.75	24	1.38	F2600	24.13	F2600-24	22.13	F2600-22
28" PIPE	28.13	36.50	34.00	28	1.38	F2800	26.13	F2800-26	24.13	F2800-24
30" PIPE	30.13	38.75	36.00	28	1.38	F3000	28.13	F3000-28	26.13	F3000-26
36" PIPE	36.13	46.00	42.75	32	1.63	F3600	30.13	F3600-30	28.13	F3600-28
42" PIPE	42.13	53.00	49.50	36	1.63	F4200	36.13	F4200-36	30.13	F4200-30
48" PIPE	48.13	59.50	56.00	44	1.63	F4800	42.13	F4800-42	36.13	F4800-36
54" PIPE	54.13	66.25	62.75	44	1.88	F5400	48.13	F5400-48	42.13	F5400-42
60" PIPE	60.13	73.00	69.25	52	1.88	F6000	54.13	F6000-54	48.13	F6000-48

OPTIONS

- T-304 Stainless Steel
* Add "H" at the End of the Part Number.
- T-316 Stainless Steel
* Add "E" at the End of the Part Number.
- Split Flanges are Available.

NOTE

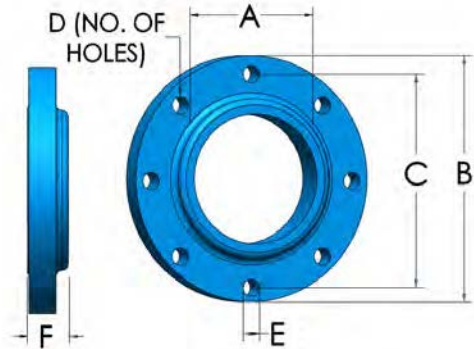
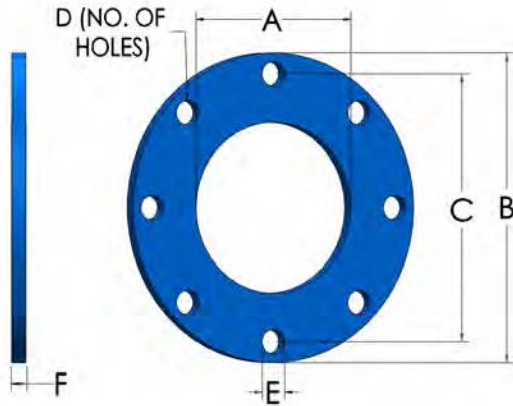
1-1/2" - 24" are Drilled to ANSI B16.5 Specifications
26" - Up are Drilled to AWWA Class "D" Specifications

Contact One Of Our Product Specialists For Assistance



HEAVY DUTY PLATE FLANGE, A-36 STEEL 150# ANSI

150# ANSI FORGED STEEL FLANGE



SIZE	A I.D.	B O.D.	C B.C.	D NO. OF HOLES	E DIA. OF HOLES	F THK.	PART NO.	FORGED STEEL PART NUMBER		
								SLIP-ON	THREADED *	F THK.
1 50"	1.95	5.00	3.88	4	0.63	0.63	FF0150	FG0150	TF0150	0.88
2"	2.44	6.00	4.75	4	0.75	0.63	FF0200	FG0200	TF0200	1.00
2 50"	2.94	7.00	5.50	4	0.75	0.63	FF0250	FG0250	TF0250	1.12
3"	3.57	7.50	6.00	4	0.75	0.63	FF0300	FG0300	TF0300	1.19
3 50"	4.07	8.50	7.00	8	0.75	0.63	FF0350	FG0350	TF0350	1.25
4"	4.57	9.00	7.50	8	0.75	0.63	FF0400	FG0400	TF0400	1.31
5"	5.66	10.00	8.50	8	0.88	0.75	FF0500	FG0500	TF0500	1.44
6"	6.72	11.00	9.50	8	0.88	0.75	FF0600	FG0600	TF0600	1.56
8"	8.72	13.50	11.75	8	0.88	1.00	FF0800	FG0800	TF0800	1.75
10"	10.88	16.00	14.25	12	1.00	1.00	FF1000	FG1000	TF1000	1.94
12"	12.88	19.00	17.00	12	1.00	1.00	FF1200	FG1200	TF1200	2.19
14"	14.13	21.00	18.75	12	1.13	1.00	FF1400	FG1400	N/A	2.25
16"	16.13	23.50	21.25	16	1.13	1.00	FF1600	FG1600	N/A	2.50
18"	18.13	25.00	22.75	16	1.25	1.06	FF1800	FG1800	N/A	2.69
20"	20.13	27.50	25.00	20	1.25	1.13	FF2000	FG2000	N/A	2.88
22"	22.13	29.50	27.25	20	1.38	1.19	FF2200	N/A	N/A	N/A
24"	24.13	32.00	29.50	20	1.38	1.25	FF2400	FG2400	N/A	3.25
26"	26.13	34.25	31.75	24	1.38	1.31	FF2600	N/A	N/A	N/A
28"	28.13	36.50	34.00	28	1.38	1.31	FF2800	N/A	N/A	N/A
30"	30.13	38.75	36.00	28	1.38	1.38	FF3000	N/A	N/A	N/A
36"	36.13	46.00	42.75	32	1.63	1.63	FF3600	N/A	N/A	N/A

NOTE

* THREADED FLANGES MAY BE CAST

1-1/2" - 24" are Drilled to ANSI B16.5 Specifications
26" - Up are Drilled to AWWA Class "D" Specifications

SPECIAL ENGINE MANIFOLD FLANGES

SIZE	A I.D.	B O.D.	C B.C.	D NO. OF HOLES	E DIA. OF HOLES	F THK.	C/S PART NUMBER	T-304 PART NUMBER	T-316 PART NUMBER
5" CUMMINS	5.00	8.06	7.19	8	0.44	0.50	FCU0500	FCU0500H	FCU0500E
6" CUMMINS	6.00	8.06	7.19	8	0.44	0.50	FCU0600	FCU0600H	FCU0600E
8" CAT / DET	8.13	11.00	9.88	8	0.56	0.50	FC0800	FC0800H	FC0800E
10" DETROIT	10.00	13.00	11.88	8	0.63	0.50	FD1000	FD1000H	FD1000E
2 50" CAT	2.50	4.00 SQ.	4.56	4	0.56	0.50	FC0250	FC0250H	FC0250E
3" CAT	3.00	4.00 SQ.	4.56	4	0.56	0.50	FC0300	FC0300H	FC0300E
4" CAT	4.00	5.50 SQ.	5.88	4	0.56	0.50	FC0400	FC0400H	FC0400E
5" CAT	5.00	6.50 SQ.	7.06	4	0.75	0.50	FC0500	FC0500H	FC0500E
6" CAT	6.00	8.00 SQ.	8.50	4	0.75	0.50	FC0600	FC0600H	FC0600E
10" CAT	10.00	13.50	12.44	12	0.50	0.50	FC1000	FC1000H	FC1000E
12" CAT	12.00	15.75	14.81	12	0.50	0.50	FC1200	FC1200H	FC1200E
14" CAT	14.00	17.09	16.13	12	0.50	0.50	FC1400-35	FC1400-35H	FC1400-35E
14" CAT	14.00	17.94	16.94	12	0.56	0.50	FC1400-36	FC1400-36H	FC1400-36E
16" CAT	16.00	23.50	21.25	16	0.81	0.50	FC1600	FC1600H	FC1600E

Custom And Metric Flanges Available On Request

Contact One Of Our Product Specialists For Assistance

