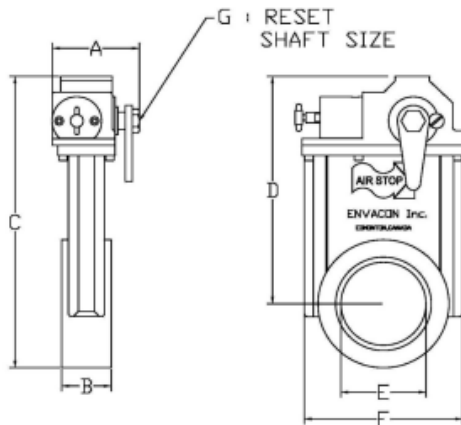


## Dimensional Table



NOTE:  
OUTLETS ARE NOT SHOWN IN SCHEMATICS

### IMPERIAL

MODEL	A	B	C	D	E	F	G	WEIGHT
2G	3.00	1.25	7.75	6.09	2.00	3.96	0.75	5.80
3G	3.00	1.75	10.57	8.25	3.00	5.64	0.75	7.50
4G	3.00	1.75	13.21	10.22	4.00	6.77	0.75	10.50
5G	3.00	1.75	15.68	12.34	6.00	7.69	0.75	12.00
6.5G	4.85	2.50	21.38	17.13	6.50	11.00	1.00	30.00
8G	4.85	2.50	25.00	19.88	8.00	12.50	1.00	35.00
11G	3.80	2.81	32.03	25.25	11.00	15.91	1.00	55.00
12G	6.00	4.50	37.80	29.20	12.00	19.40	1.13	118.00
13G	6.00	5.00	39.90	29.62	13.00	20.40	1.13	130.00

DIMENSIONS : INCHES

WEIGHT : POUNDS

### METRIC

MODEL	A	B	C	D	E	F	G	WEIGHT
2G	76	32	196	155	51	101	19	2.64
3G	76	44	268	210	76	143	19	3.41
4G	76	44	336	259	102	172	19	4.77
5G	76	44	398	313	127	195	19	5.45
6.5G	123	64	543	435	165	279	25	13.64
8G	123	64	635	505	203	318	25	15.91
11G	97	71	814	641	279	404	25	25.00
12G	152	114	960	742	305	493	29	53.64
13G	152	127	1013	752	330	518	29	59.09

DIMENSIONS : MILLIMETERS

WEIGHT : KILOGRAMS

ISO 9001:2000



Telephone: (780) 439-9743 | Fax: (780) 702-0478

9204-41 Avenue Edmonton Alberta Canada T6E 6N5  
E Mail: Envacon@Envacon.com

COPYRIGHT Envacon Inc. © 2011

